



Phase-In • ARES 1000 ARES 1500

Low voltage operators for sliding gates



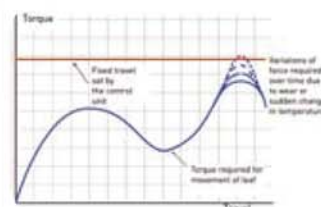
▶ Plus



-20 °C

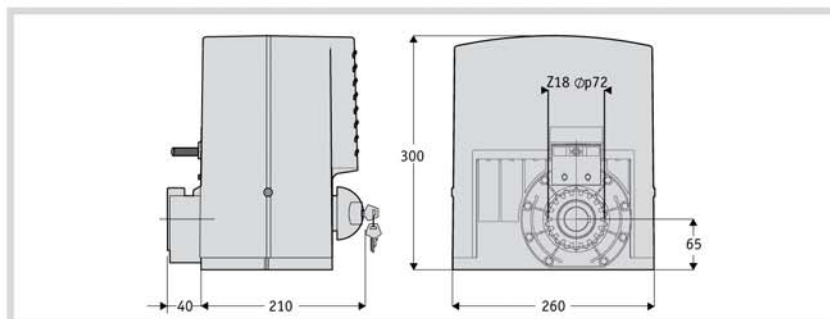
ICE FEATURE

The built-in control unit makes maximum use of the power of the microprocessor technology to manage the new ICE feature. This allows the operator installation in extremely cold areas (down to -20°C), always guaranteeing perfect gate operation, even early morning, with no false safety obstruction detection.



▶ Product code	Description	Availability
P926183 00002	ARES 1000	APRIL 1ST 2010
P926183 00004	ARES 1000 PROX	APRIL 1ST 2010
P926182 00002	ARES 1500	APRIL 1ST 2010
P926182 00004	ARES 1500 PROX	APRIL 1ST 2010

▶ Dimensions



▶ Advantages

THE SLIDING GATE OPERATOR OFFER IS NOW EVEN WIDER:

ARES1000 and ARES1500 operator widen the BFT range of sliding gate operators. Classed amongst the "medium-heavy" weight range, they integrate with existing products to obtain an operator that is perfectly suited to the gate every time.

LOW VOLTAGE MOTOR:

The 24 V electrical motor guarantees maximum accuracy in torque and speed control on the one hand, and on the other makes it suitable for intensive gate use, even in industrial installations.

D-TRACK

The HQSC-D control manages the operating force in an intelligent fashion, always guaranteeing compliance with European standards. Furthermore, at each cycle, it checks the gate for wear and friction due to temperature differences, adjusting the maximum torque supplied accordingly!



CONTROL BOARD WITH BUILT-IN RADIO RECEIVER

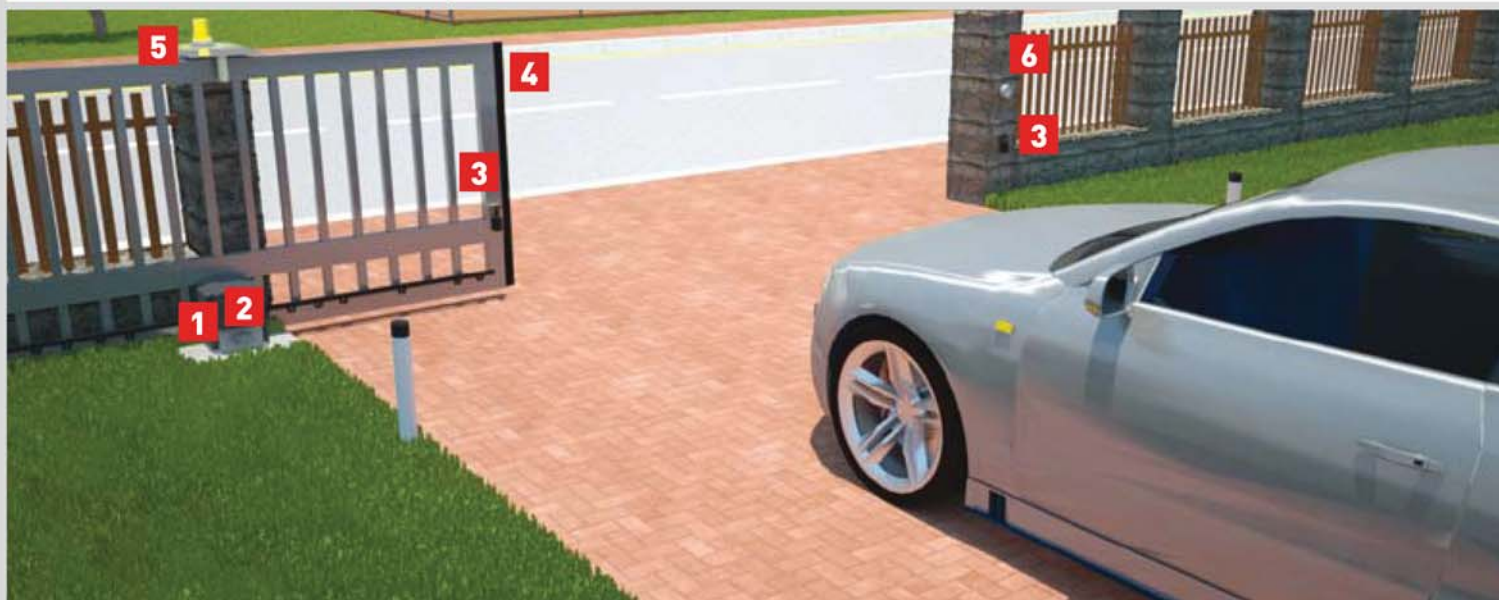
Extremely easy and simple to install. All the parts required to make the gate function are included in the operator. There is therefore no need to install unaesthetic external control panels.



Phase-In • ARES 1000 ARES 1500

Low voltage operators for sliding gates

▶ Installation example



- | | |
|------------------------|-------------------------|
| 1 Operator | 4 Safety edge |
| 2 Control board | 5 Flashing light |
| 3 Photocells | 6 Control device |

▶ Accessories



D113719 00003 - RAY X
Flashing light with built-in antenna for 24 V motors



P123023 - RWS
Wall support for RAY X flashing lights



D111750 - MITTO 2
Two-channel 433 MHz rolling code transmitter



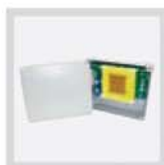
P111452 - CELLULA 180
Set of adjustable photocells [180° horiz./20° vert.] For outdoor use (range 30 m). Power supply 24V ac/dc



P111410 - DCW
Wireless photocell (battery operated transmitter and wired receiver) capable of managing a resistive or an infrared safety edge. Adjustable [180° horiz./20° vert.] and compliant with standard EN 12978



N190106 - STR
set of infrared sensors for DCW and BIR C or BAR C edges



D111457 00002 - PASSY ANTENNA MONO
One-way 2.45 GHz illuminator antenna. Together with the PASSY TRANSPONDER, when in the area covered by the antenna. Control of the automation in one direction only.



D111457 00001 - PASSY ANTENNA OMNI
Omnidirectional 2.45 GHz illuminator antenna. Together with the PASSY TRANSPONDER, it activates the gate operator in the area covered by the antenna. Control of the automation both in and out.



P111273 - CELL 130
Pair of self-aligning photocells for outdoor use (range 30 m). Power supply 24V AC/DC



D111456 - PASSY TRANSPONDER
Dual frequency, 2.45 GHz active transponder for the detection of PASSY ANTENNA and 433 MHz for the command to the operator.